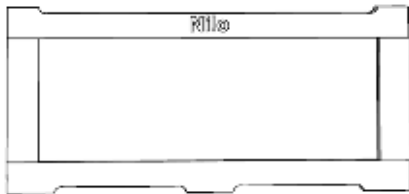
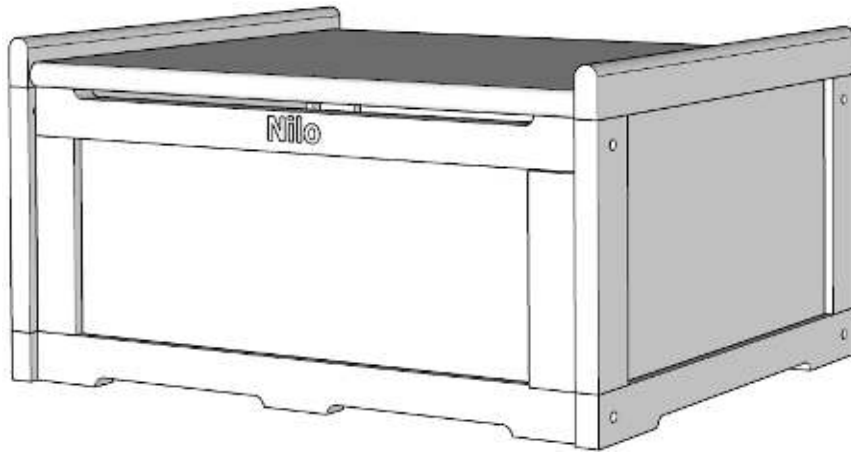


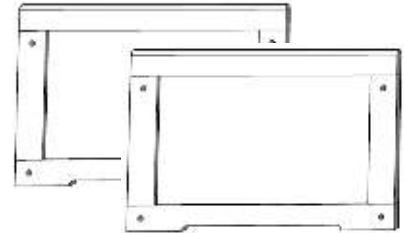
# Nilo N33 Large Toy Chest



(A) Front Panel



(B) Back Panel



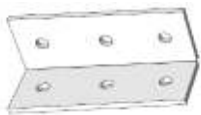
(C) 2 Side Panels



(D) Seat Top Panel



(E) Bottom Panel



(F) 3 Hinges



(G) 6X5/8" F  
18 Screws



(H) 2 Hinges



(I) 6X5/8" P  
8 Screws



(J) 8 Screws



(K) Wrench

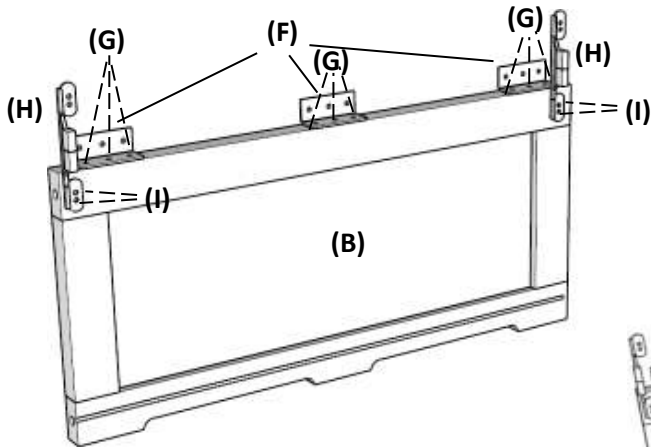
**www.nilotoys.com**  
**800-872-6456**  
**760-930-9180**  
**email : support@nilotoys.com**

**ADULT ASSEMBLY REQUIRE**

# Nilo® N33 Large Toy Chest Assembly Instructions

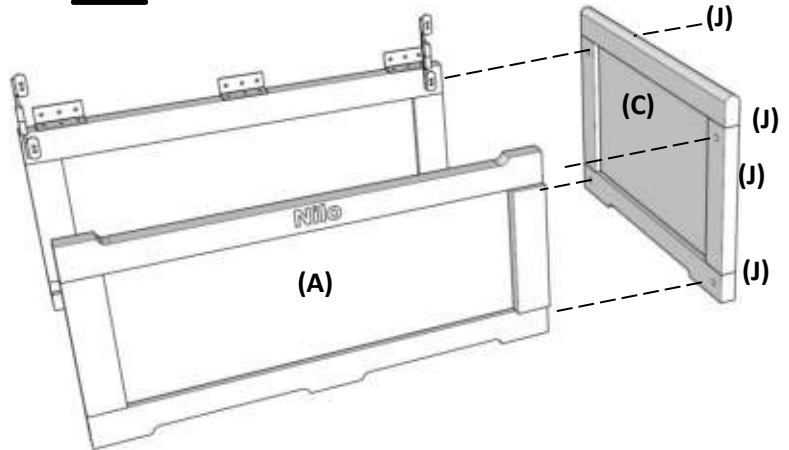
**1**

Mount butt hinges and safety hinge (F) to back panel using screws (G) and hinge (H) using screws (I)



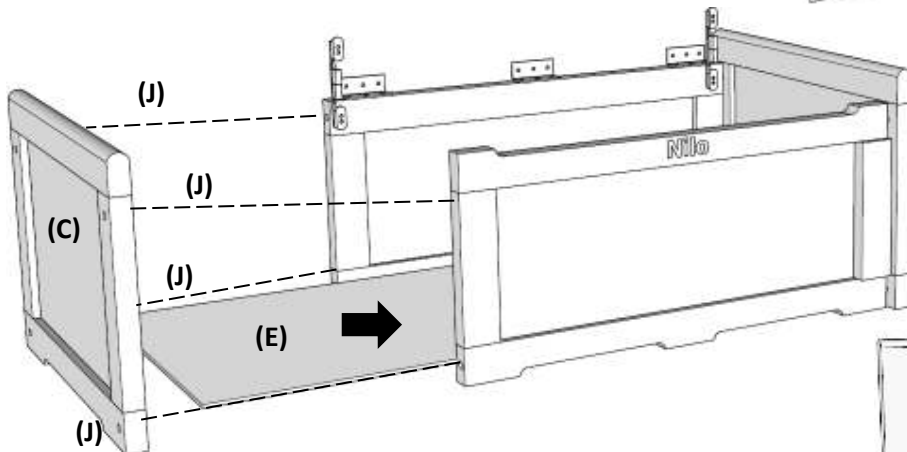
Please note : **Match Safety hinge mounting brackets with pre-drilled holes on the Seat Top Panel and Back Panel.** Rounded cam end mounts to seat top.

**2**



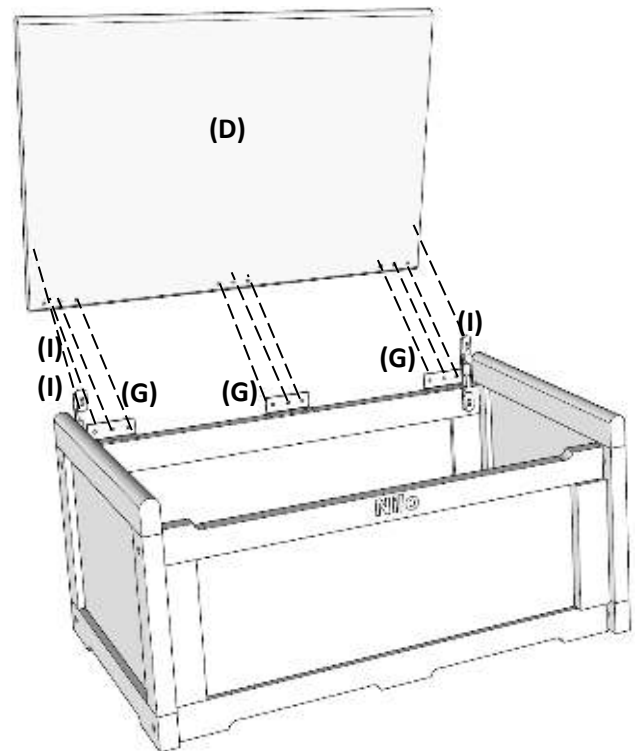
Mount side panel to back & front panels.

**3**



Slide bottom panel in, Then mount other side panel.

**4**



Mount chest seat to all hinges.

**Need Help? Call : 800-872-6456**

**Please register your product at [www.nilotoys.com](http://www.nilotoys.com)**



## **WARNING : CHOKING HAZARD**

SOME PART OF THIS PRODUCT ARE SMALL AND CONTAIN SHARP POINTS. CARE SHOULD BE TAKEN WHEN UNPACKING THIS PRODUCT. ADULT ASSEMBLY REQUIRED.

### **Cleaning and Care :**

Clean surfaces with a dry or damp soft cloth. Do not use abrasive cleaners.