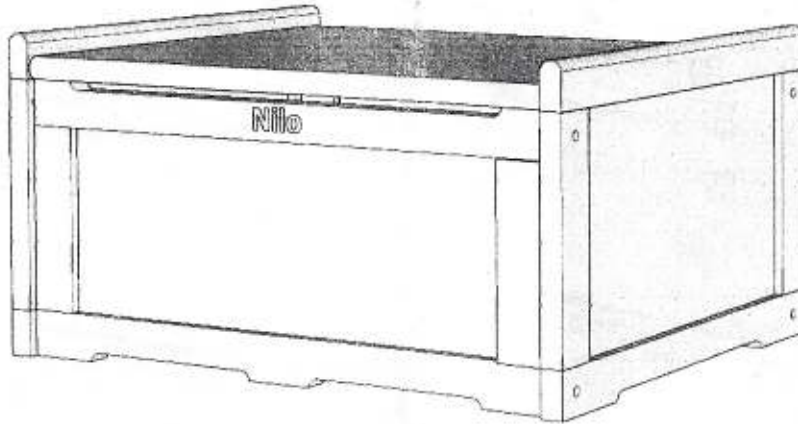


Nilo N33 Large Toy Chest



(A) Front Panel



(B) Back Panel



(C) 2 Side Panels



(D) Seat Top Panel



(E) Bottom Panel



(F) 3 Hinges



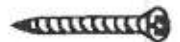
(G) 6X5/8" F
18 Screws



(H) 2 Hinges



(I) 6X5/8" P
8 Screws



(J) 8 Screws



(K) Wrench

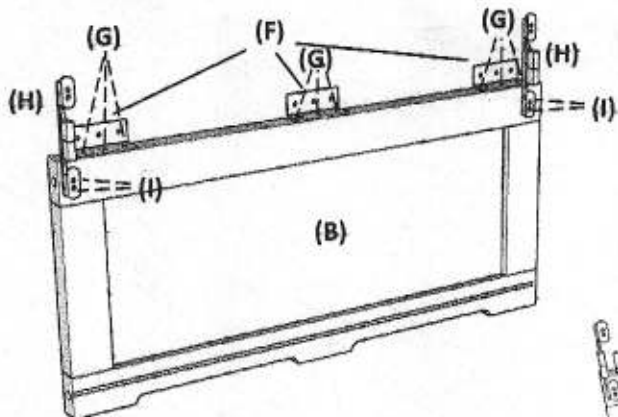
www.nilotoys.com
800-872-6456
760-930-9180
email : support@nilotoys.com

ADULT ASSEMBLY REQUIRE

Nilo® N33 Large Toy Chest Assembly Instructions

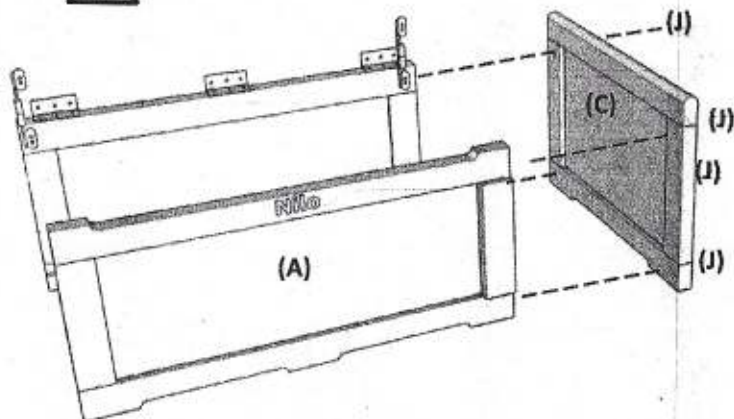
1

Mount butt hinges and safety hinge (F) to back panel using screws (G) and hinge (H) using screws (I)



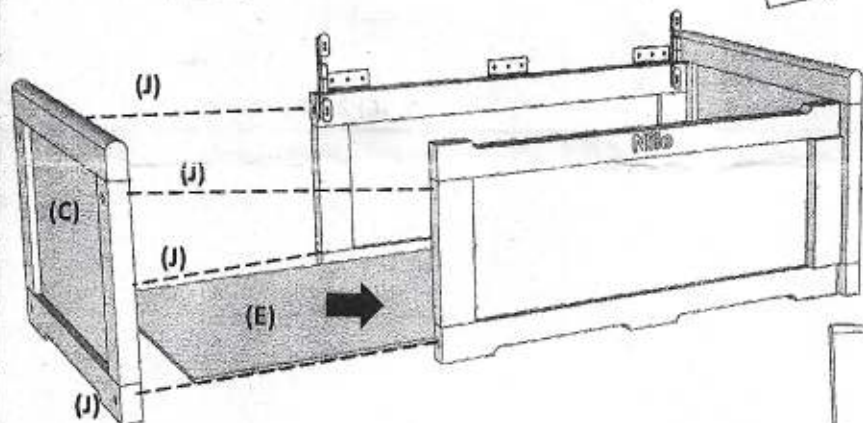
Please note : **Match Safety hinge mounting brackets with pre-drilled holes on the Seat Top Panel and Back Panel.** Rounded cam end mounts to seat top.

2



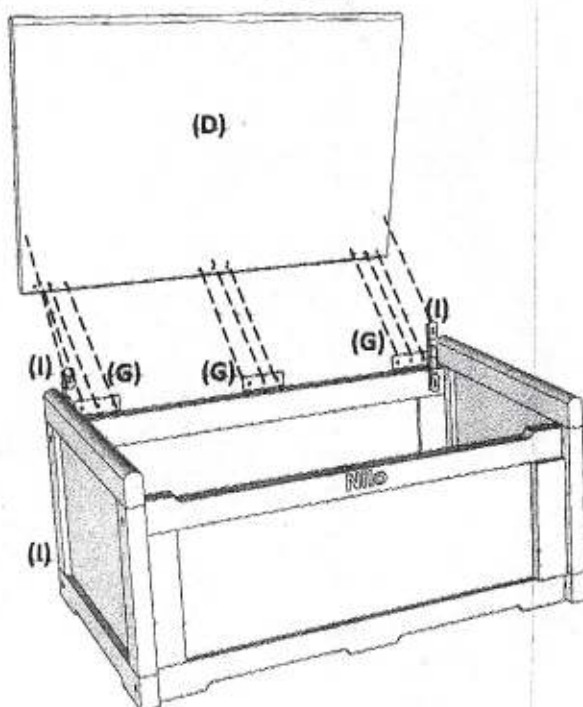
Mount side panel to back & front panels.

3



Slide bottom panel in, Then mount other side panel.

4



Mount chest seat to all hinges.



Need Help? Call : 800-872-6456

Please register your product at www.nilotoys.com

WARNING :

CHOKING HAZARD

SOME PART OF THIS PRODUCT ARE SMALL AND CONTAIN SHARP POINTS. CARE SHOULD BE TAKEN WHEN UNPACKING THIS PRODUCT. ADULT ASSEMBLY REQUIRED.