

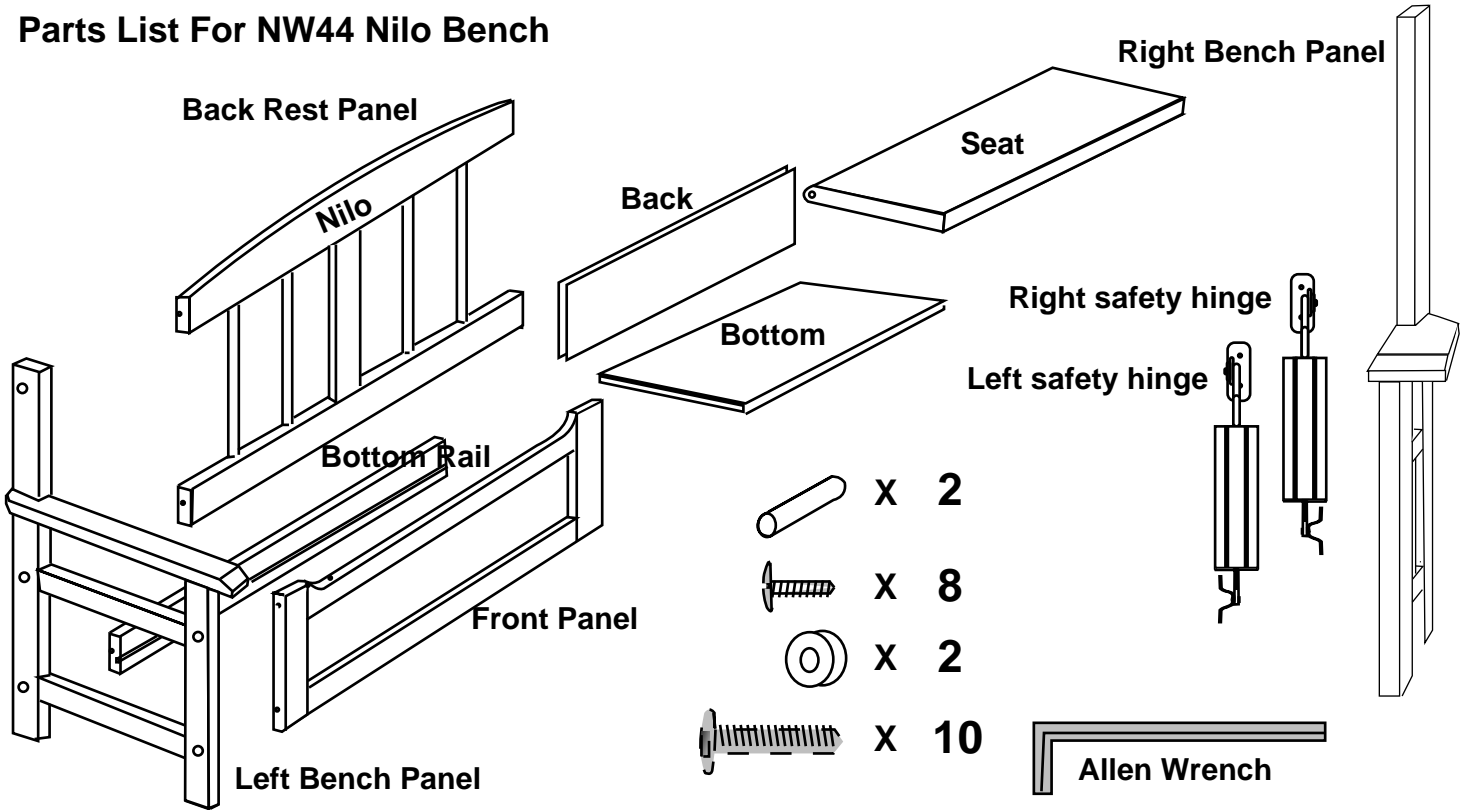
STEP #9

Use Two small screws to attach top of safety hinges to Bench Seat. Carefully open hinge enough so bracket can line up with the holes on the Bench Seat as shown.

Note: This step is done with Bench still laying on its back on the floor.

Concerns? Call:
Nilo
800-872-6456
Visit/Register with us
at www.nilotoy.com
 You will be notified of new Nilo compatible products! Feel free to send us your thoughts, new product ideas or We're here **FOR YOU!**

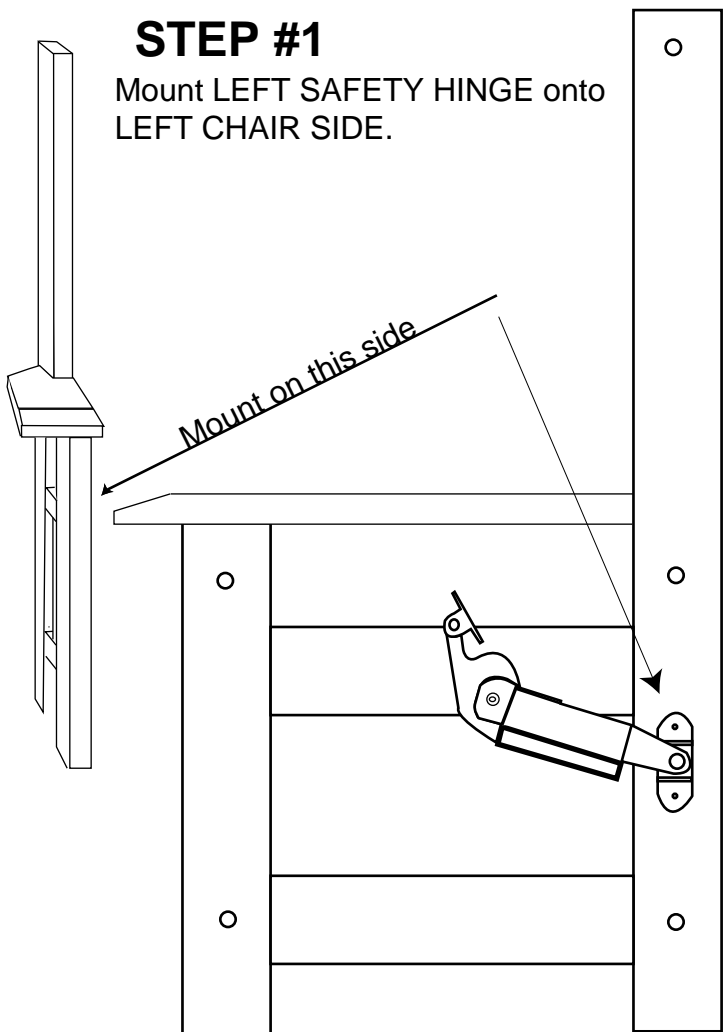
Parts List For NW44 Nilo Bench



N44 Assy Instructions

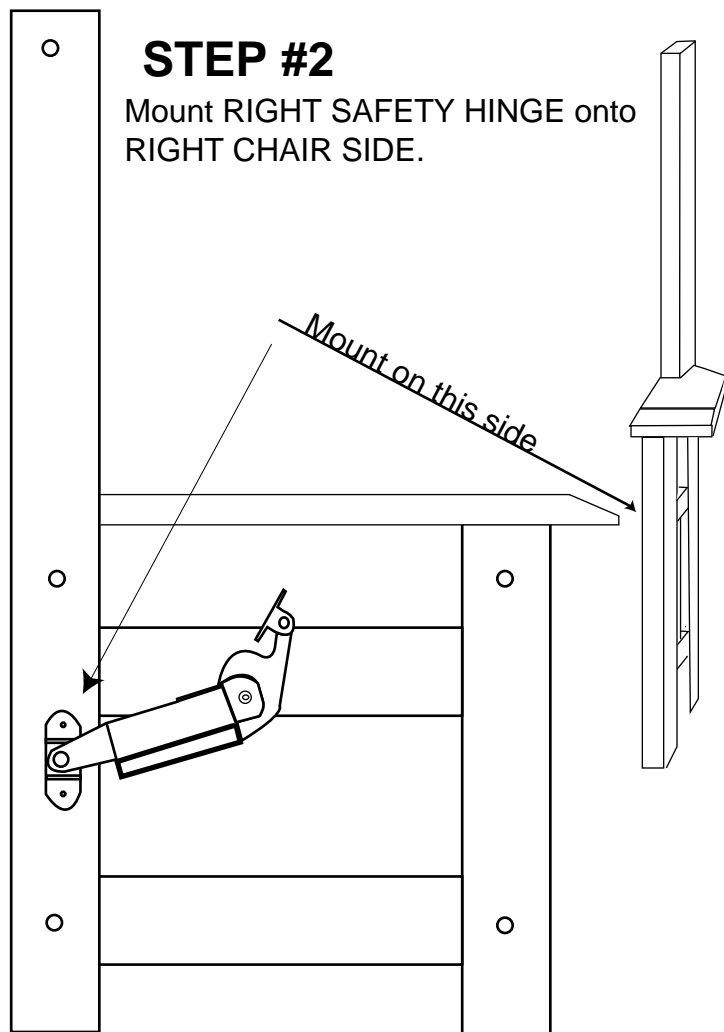
STEP #1

Mount LEFT SAFETY HINGE onto LEFT CHAIR SIDE.



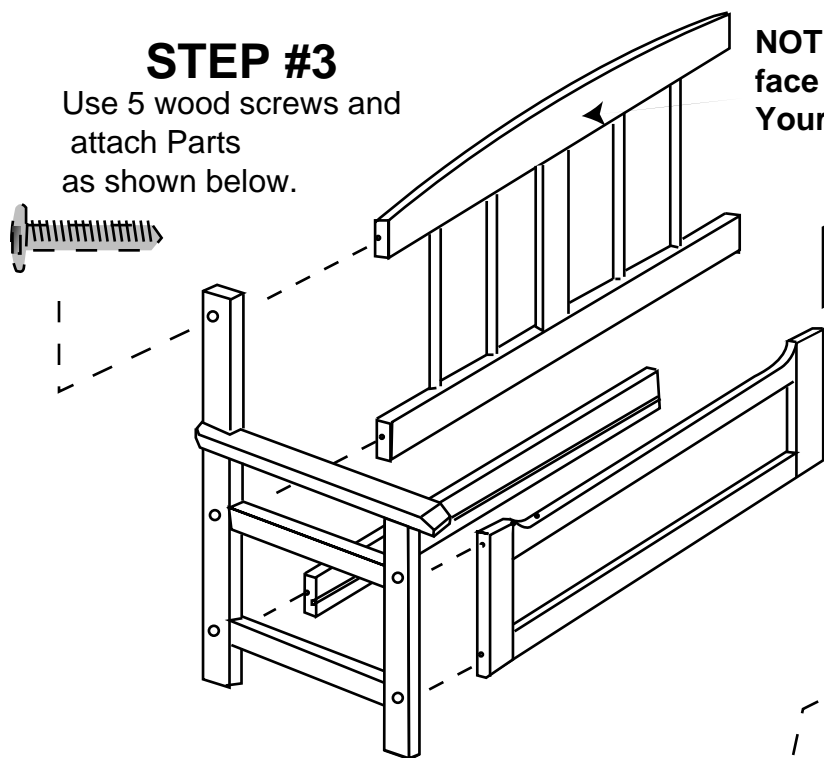
STEP #2

Mount RIGHT SAFETY HINGE onto RIGHT CHAIR SIDE.



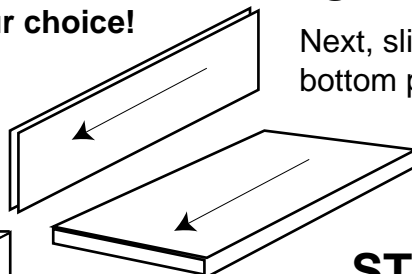
STEP #3

Use 5 wood screws and attach Parts as shown below.



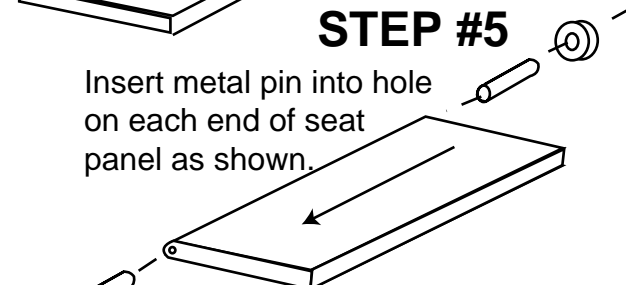
STEP #4

Next, slide in back and bottom panels.



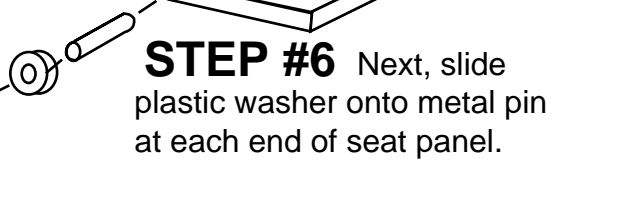
STEP #5

Insert metal pin into hole on each end of seat panel as shown.



STEP #6

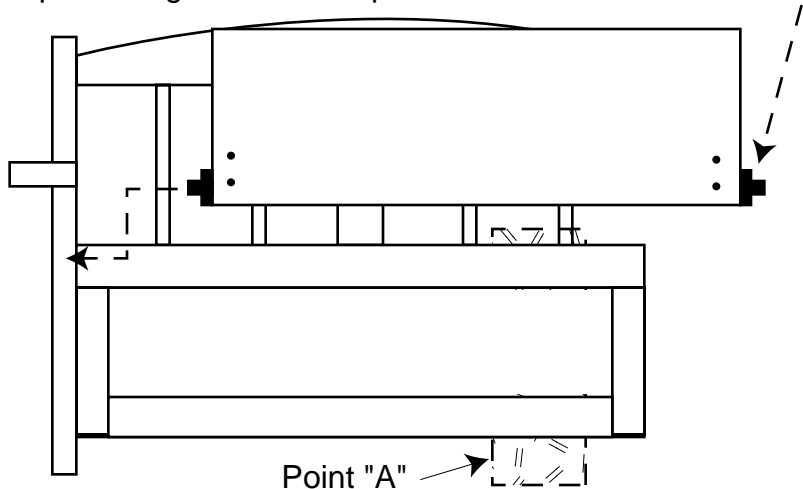
Next, slide plastic washer onto metal pin at each end of seat panel.



STEP #7

CAREFULLY LAY BENCH ON ITS BACK, IDEALLY A HARD FLOOR.

Place a book about 1" thick under bench at "point A" to raise it up off the ground a bit. Slide Bench Seat Panel into position lining up protruding metal dowel pin with hole in Left Side Bench Panel.



STEP #8

Attach Right Bench Panel to unit using 5 wood screws making sure bottom panel goes into groove and metal dowel pin goes into hole..

