

STEP #9

Use Two small screws to attach top of safety hinges to Bench Seat. Carefully open hinge enough so bracket can line up with the holes on the Bench Seat as shown.

Note: This step is done with Bench still laying on its back on the floor.

Concerns? Call:

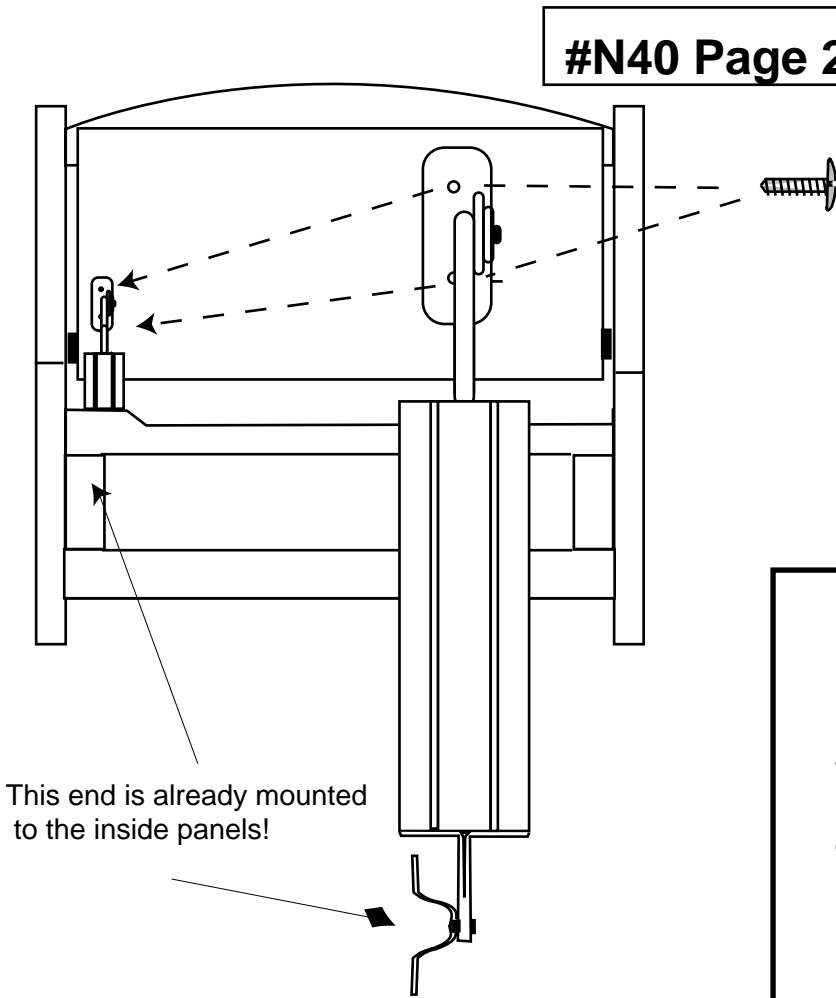
Nilo®

800-872-6456

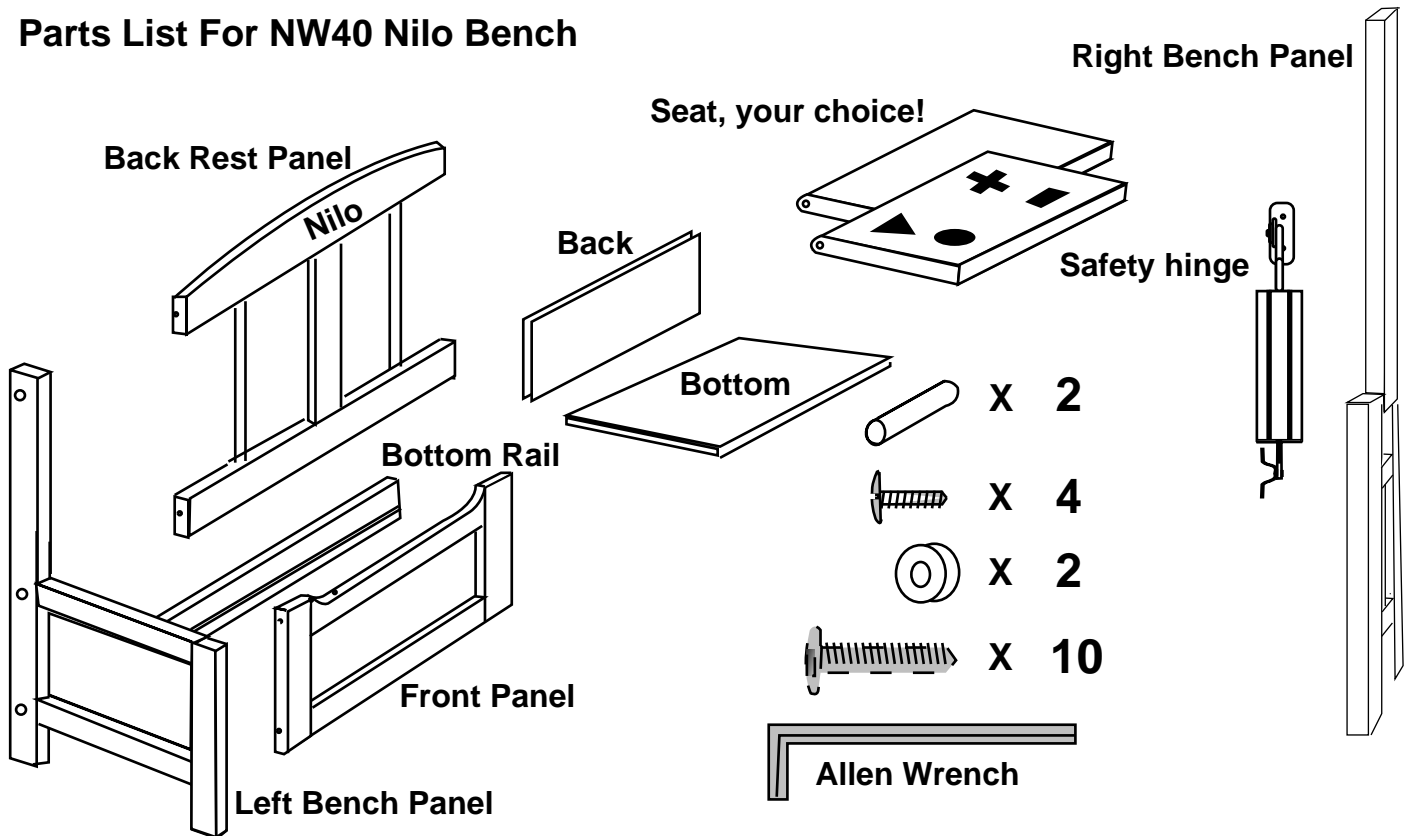
Visit/Register with us at www.nilotoy.com

You will be notified of new Nilo compatible products! Feel free to send us your thoughts, new product ideas or We're here FOR YOU!

This end is already mounted to the inside panels!

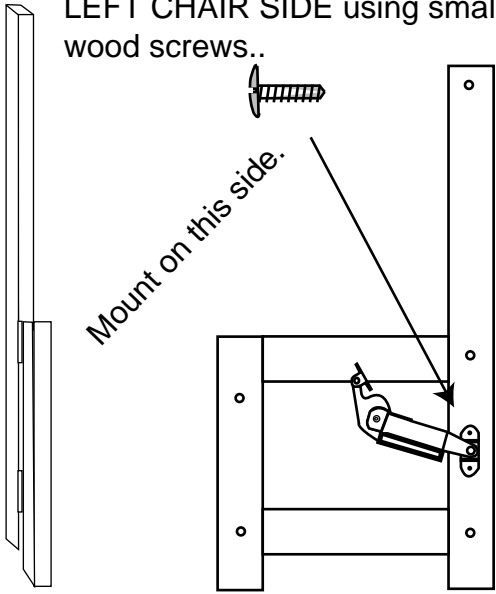


Parts List For NW40 Nilo Bench



STEP #1

Mount SAFETY HINGE onto LEFT CHAIR SIDE using small wood screws..

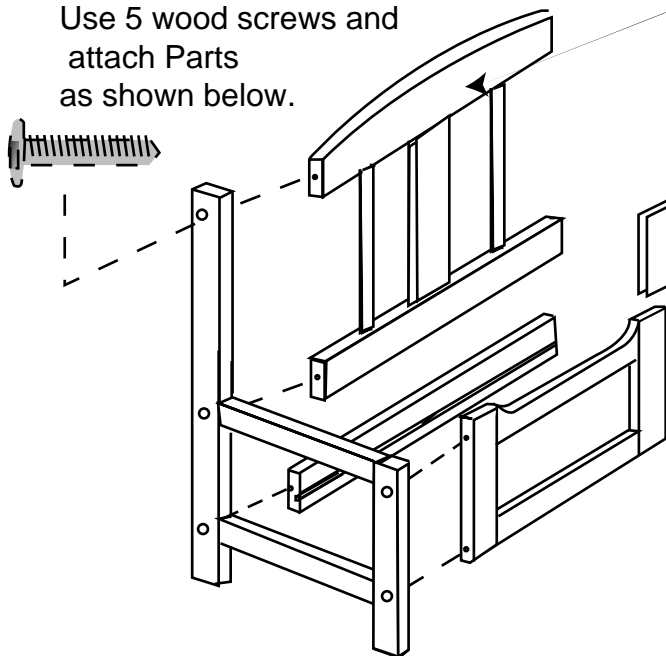


N40 Block Chair Assy Instructions

Questions? Concerns? Call: Nilo at 800-872-6456 M-F, 8-4 PST. Please register your product at www.nilotoys.com. You will be notified of new product releases! Thanks for your support!

STEP #2

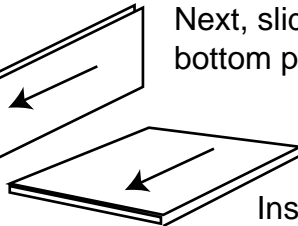
Use 5 wood screws and attach Parts as shown below.



NOTE: Nilo logo may face front or back!
Your choice!

STEP #3

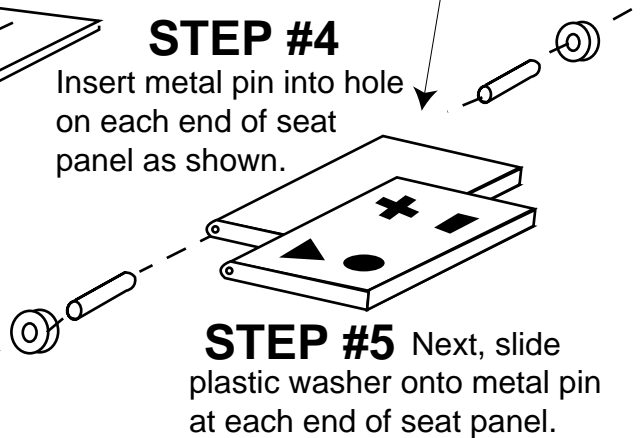
Next, slide in back and bottom panels.



Note: Use either solid seat or block seat here.
Your choice!

STEP #4

Insert metal pin into hole on each end of seat panel as shown.

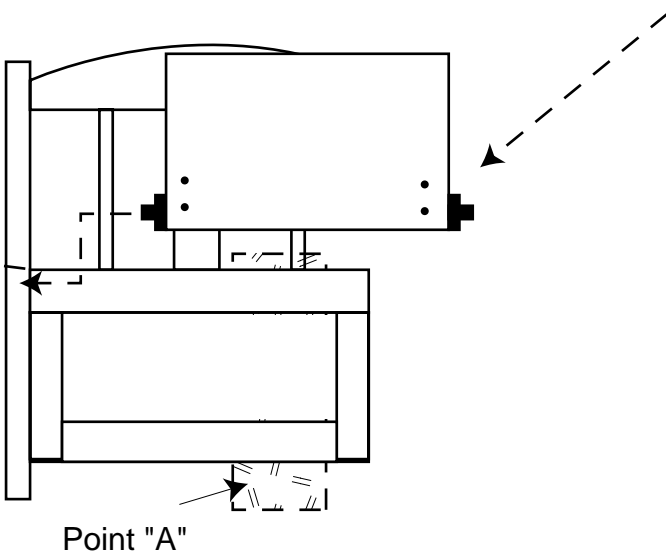


STEP #5 Next, slide plastic washer onto metal pin at each end of seat panel.

STEP #6

CAREFULLY LAY BENCH ON ITS BACK, IDEALLY A HARD FLOOR.

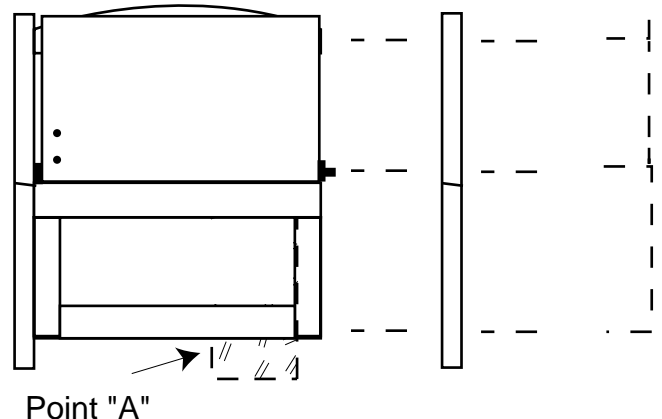
Place a book about 1" thick under bench at "point A" to raise it up off the ground a bit. Slide Bench Seat Panel into position lining up protruding metal dowel pin with hole in Left Side Bench Panel.



Point "A"

STEP #7

Attach Right Bench Panel to unit using 5 wood screws making sure bottom panel goes into groove and metal dowel pin goes into hole..



Point "A"