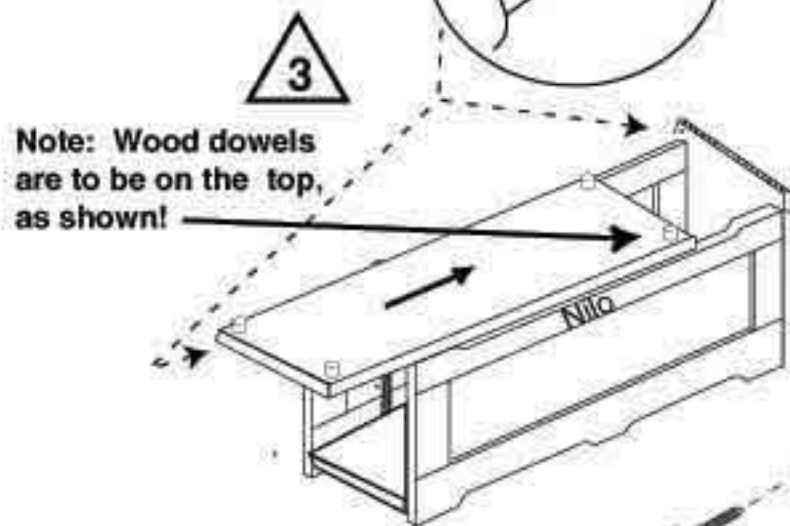
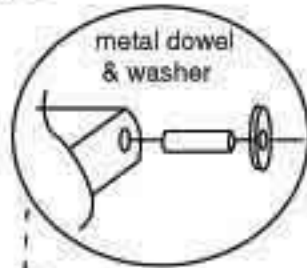
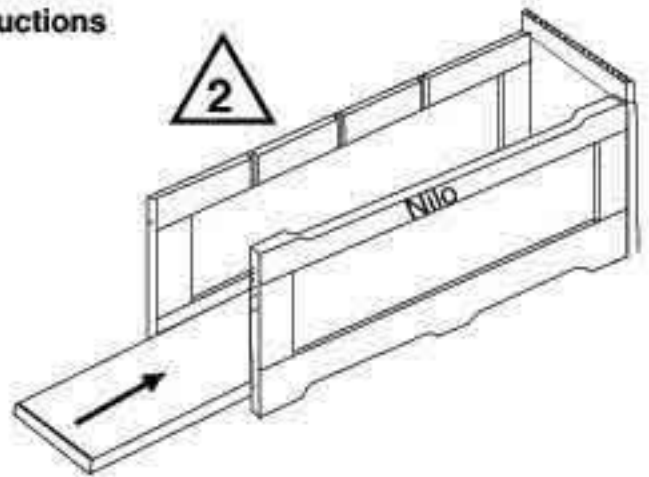
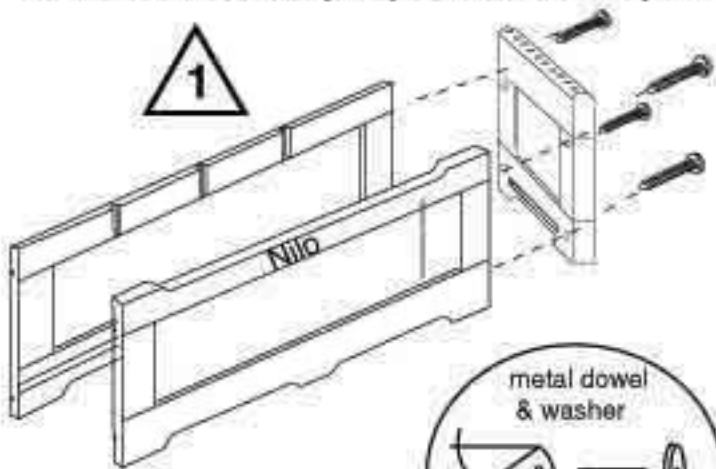
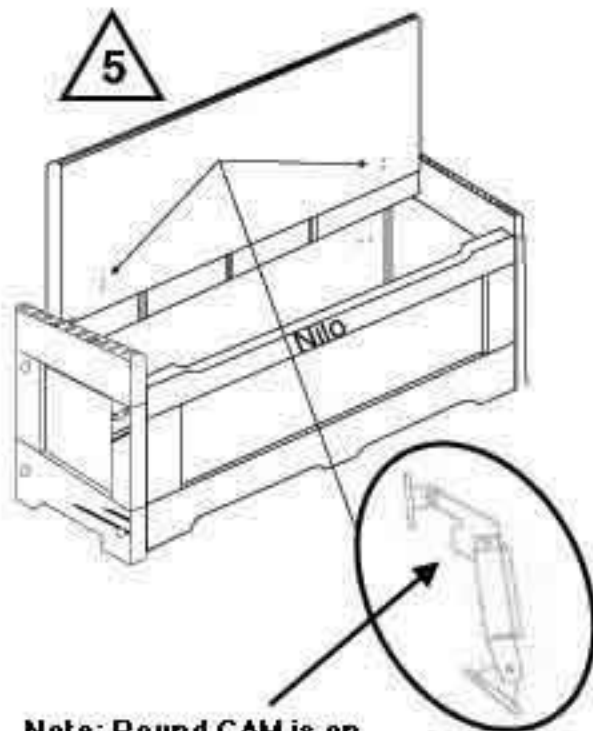
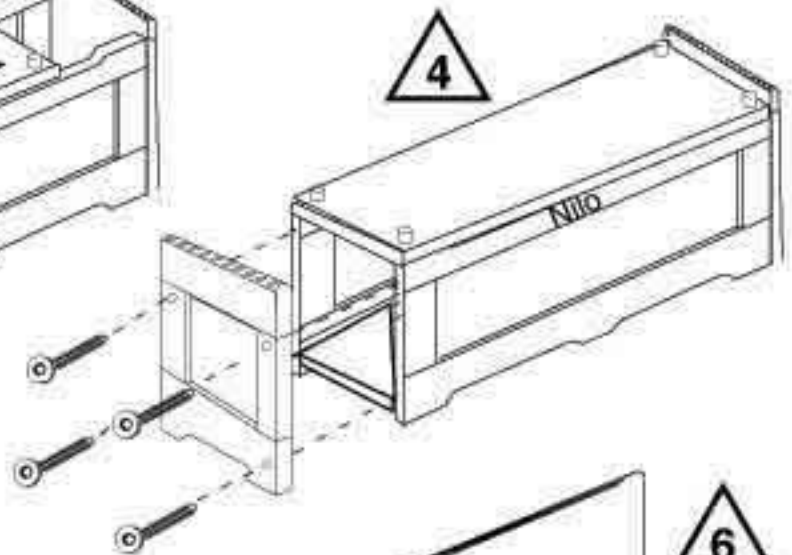


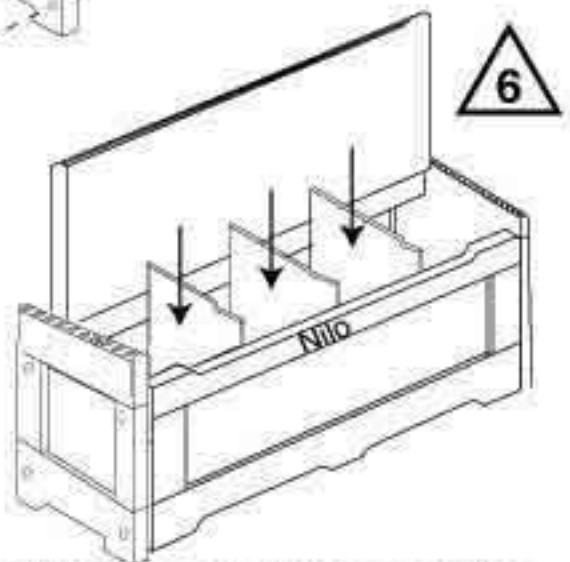
Nilo® Multi-Activity Toy Chest Assembly Instructions



Note: Wood dowels are to be on the top, as shown!

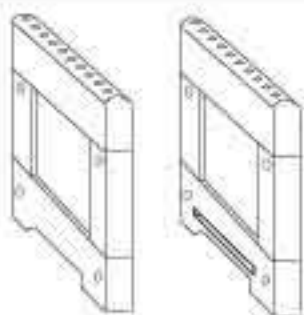
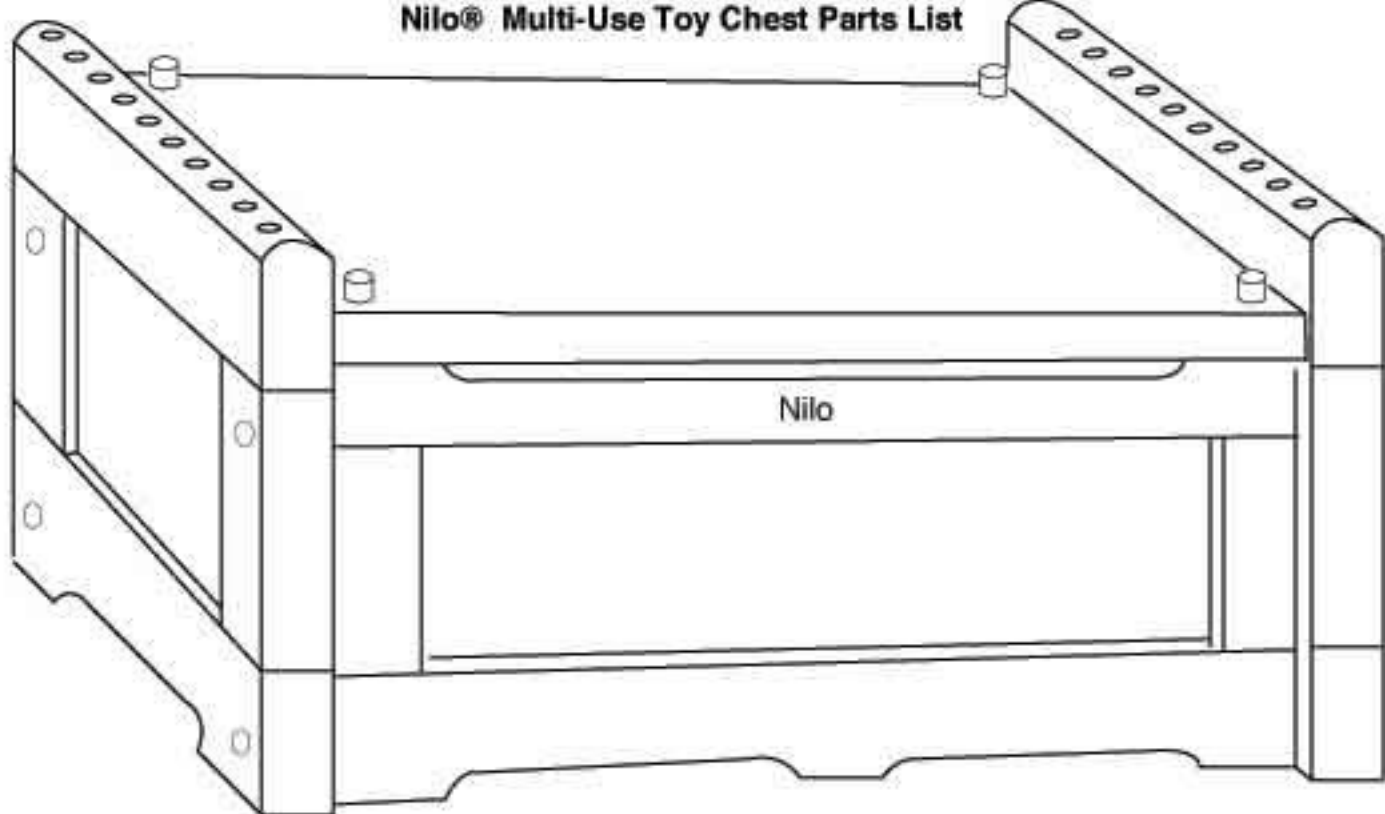


Note: Round CAM is on top for both hinges.

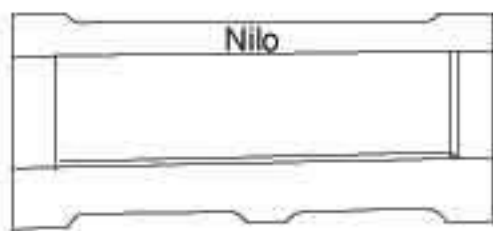


Please note: To mount hinges, match hinge mounting brackets with pre-drilled holes on the Seat Top Panel and Back Panel. Hinges must be mounted with rounded cam on top or unit may break!

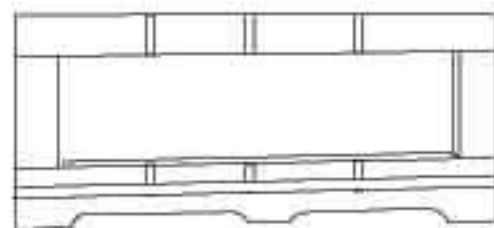
Nilo® Multi-Use Toy Chest Parts List



2 Side Panels



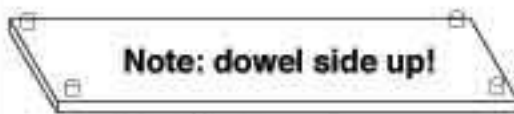
Front Panel



Back Panel



Bottom Panel



Seat Top Panel



Wrench



2 Hinges



8 Screws



2 Metal Dowels



8 Screws



8 Wood Dowels



2 Washers



3 Dividers

Please note: To mount hinges, **match hinge mounting brackets with the pre-drilled holes on the Seat Top Panel and Back Panel. ROUNDED CAM IS ON TOP!**